

# PART STABILIZATION



## Stabilizer System

Our Stabilizer System combines Blue Photon grippers and inserts with components designed to stabilize your workpiece without drilling/tapping into your part.

### Puck Bases

Each puck base holds three grippers and three external fixed inserts and can be adjusted and placed as necessary to stabilize your workpiece. They can be ordered with or without grippers and inserts.

| Part Number | Included Gripper/Insert Qty | Gripper/Insert Size |
|-------------|-----------------------------|---------------------|
| 98070       | 0                           | Not Included        |
| 98077       | 3                           | Small               |
| 98078       | 3                           | Medium              |
| 98079       | 3                           | Large               |



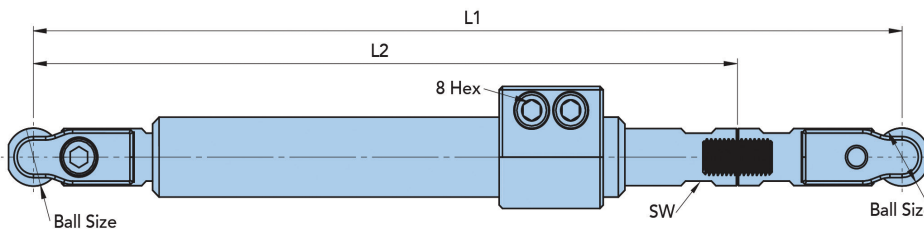
### 5-Axis Adjustable Stabilizer Bases

2 stabilizer balls are included with each stabilizer base. Clamps can be ordered separately.

| Part Number | Length (L1) | Length (L2*) | Clamping Ball Size | Weight  |
|-------------|-------------|--------------|--------------------|---------|
| 98140       | 255-305 mm  | 187 mm       | Ø25.4 mm           | 4.3 lbs |
| 98150       | 400-550 mm  | 287 mm       | Ø25.4 mm           | 5.3 lbs |



\* L2 at minimum position



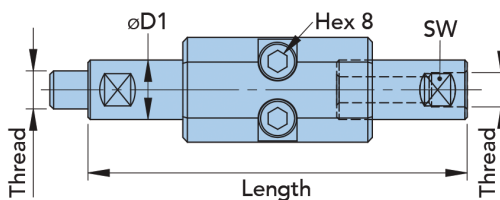
### 5-Axis Fine Adjustable Stabilizer Extension

Allows for adjustment of part position.

| Part Number | Length     | ØD1    | Thread   | Wrench | Weight  |
|-------------|------------|--------|----------|--------|---------|
| 98200       | 120-160 mm | Ø25 mm | M16xP1.5 | 21 SW  | 2.6 lbs |



Hex nut is included with extension.

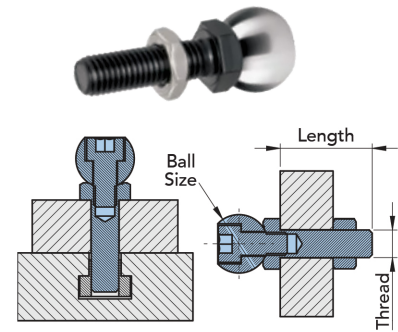


Contact us today to get started - 855-777-2040 • [www.BluePhotonGrip.com](http://www.BluePhotonGrip.com) • [Sales@BluePhotonGrip.com](mailto:Sales@BluePhotonGrip.com)

## Stabilizer Mounting Screws

| Part Number | Thread    | Ball Size | Length | Weight |
|-------------|-----------|-----------|--------|--------|
| 98330       | M12xP1.75 | Ø25.4 mm  | 40 mm  | .4 lbs |
| 98340       | M14xP2    | Ø25.4 mm  | 40 mm  | .4 lbs |
| 98350       | M16xP2    | Ø25.4 mm  | 40 mm  | .4lbs  |
| 98360       | M18xP2.5  | Ø25.4 mm  | 40 mm  | .4 lbs |
| 98370       | M20xP2.5  | Ø25.4 mm  | 50 mm  | .4 lbs |
| 98380       | M24xP3    | Ø25.4 mm  | 50 mm  | .9 lbs |

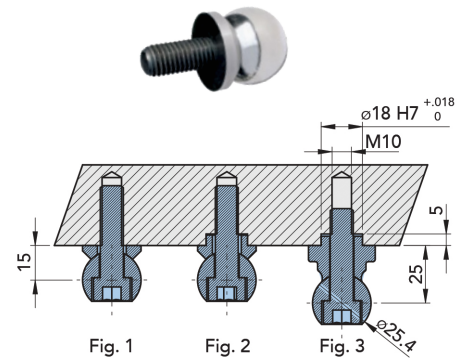
T-Nut is not included



## 5-Axis Stabilizer Ball and Collars

Allows for a variety of methods to attach or grab the workpiece(s).

| Part Number | Fig.  | Description  | Ball Size | Height         | Weight |
|-------------|-------|--|-----------|----------------|--------|
| 98418       | 1     | Attachment ball with no location requirement (H=10). | Ø25.4 mm  | 15 mm          | .1 lbs |
| 98419       | 2     | Ball and collar with location (H=10).                | Ø25.4 mm  | 15 mm          | .2 lbs |
| 98429       | 3     | Ball and collar with location (H=25).                | Ø25.4 mm  | 25 mm          | .2 lbs |
| 98500       | 1/2/3 | Ball and collar set with 1 ball and 3 collars.       | Ø25.4 mm  | 15 mm or 25 mm | .4 lbs |



## 5-Axis Stabilizer Magnetic Bases

The base of the stabilizer system allowing it to be rigidly fixed in place.

| Part Number | Fig. | Load Capacity  | Ball Size | Ball Qty | Weight  |
|-------------|------|----------------|-----------|----------|---------|
| 98631       | 1    | 330 lbs/150 kg | Ø25.4 mm  | 1        | 7.5 lbs |
| 98632       | 2    | 330 lbs/150 kg | Ø25.4 mm  | 2        | 7.5 lbs |

